

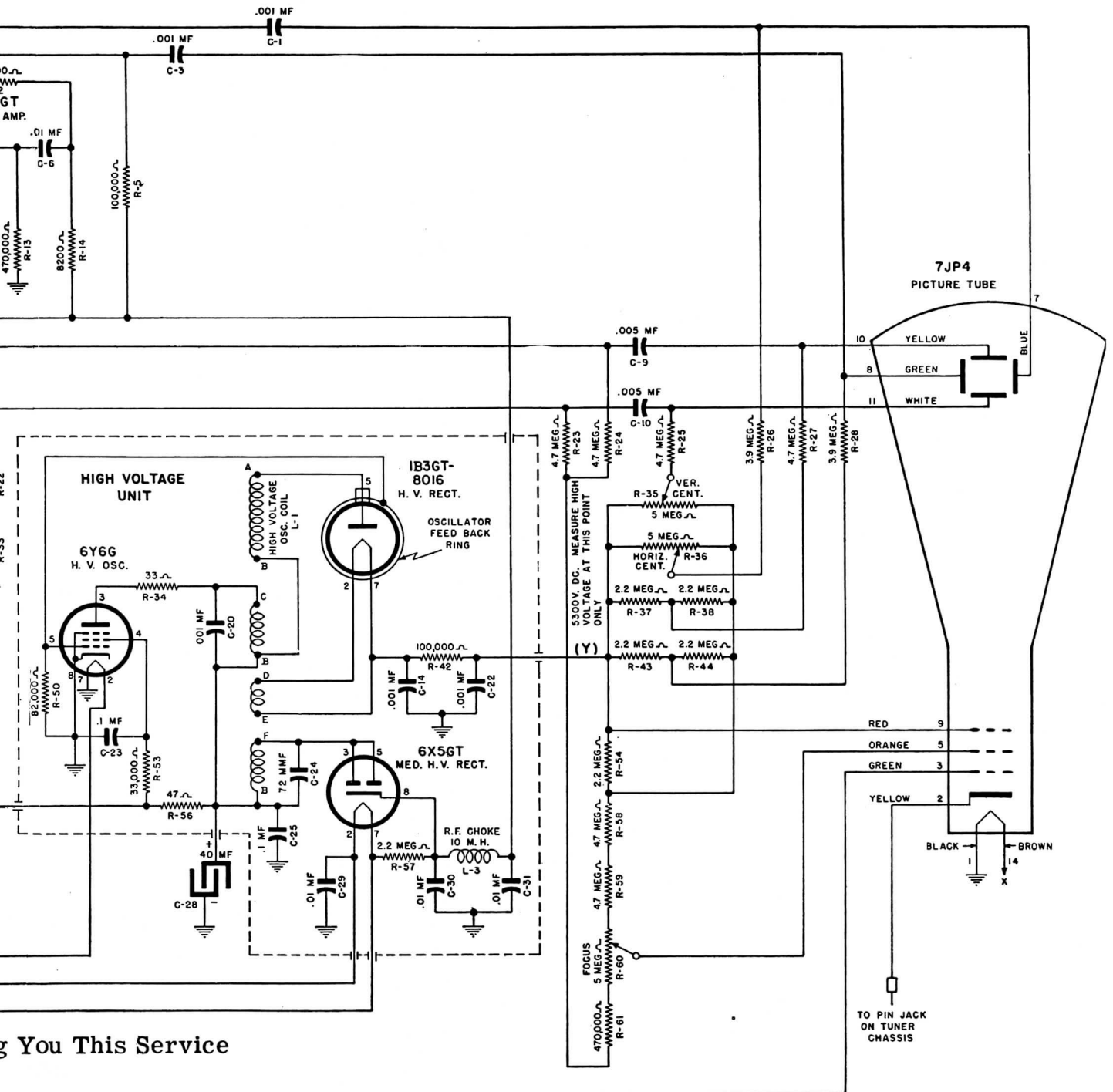
The Cooperation of the Manufacturer of This Receiver Makes It Possible to Bring

PRELIMINARY DATA

The data contained in this folder is published in advance of regular PHOTOFAC Coverage

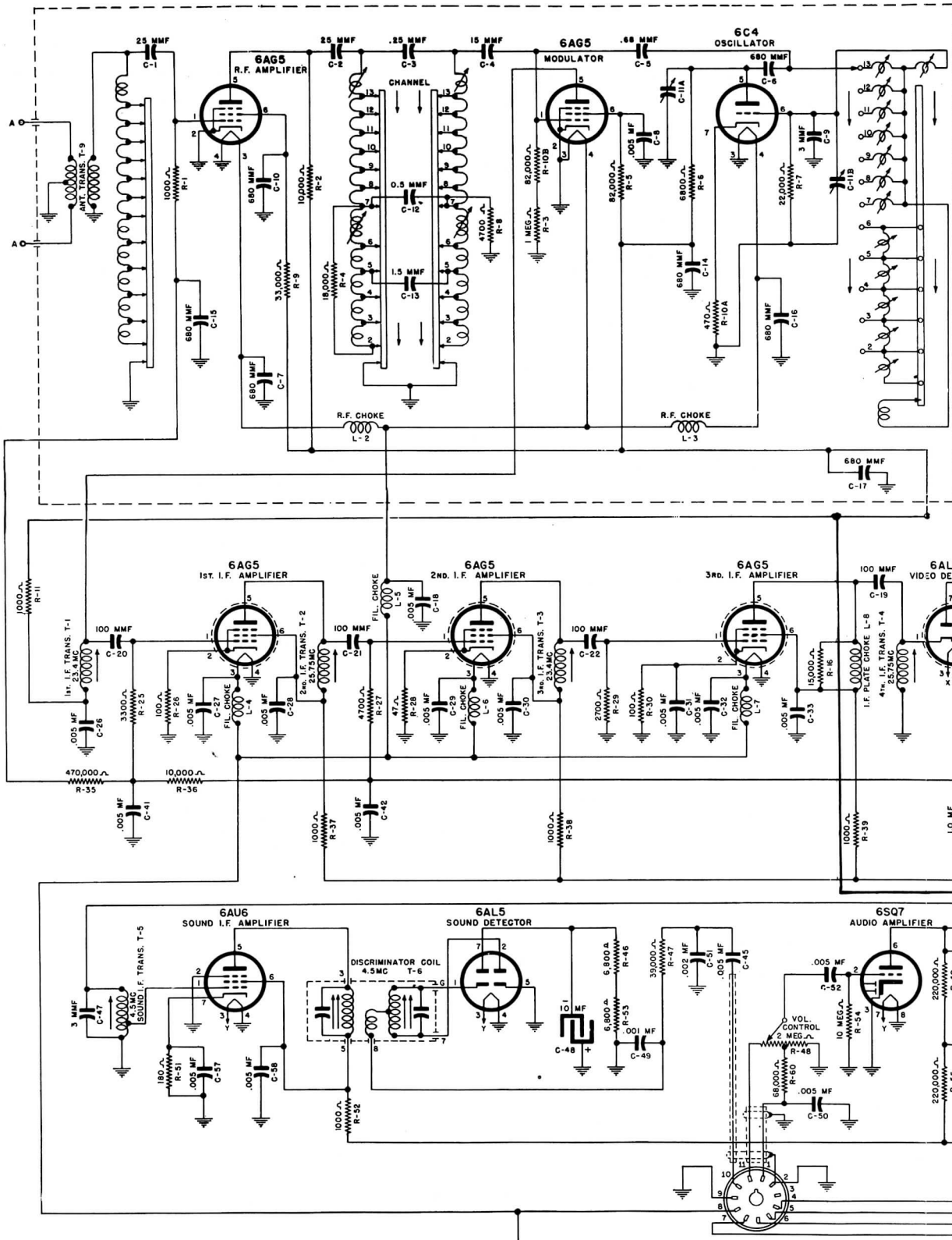
SET 93A FOLDER 2

© Howard W. Sams & Co., Inc. 1950

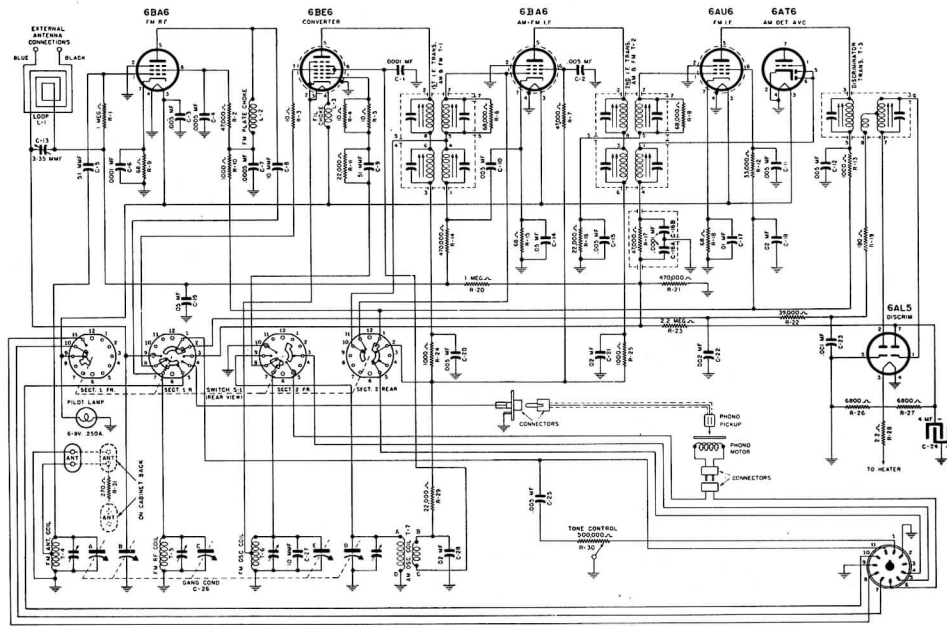


g You This Service

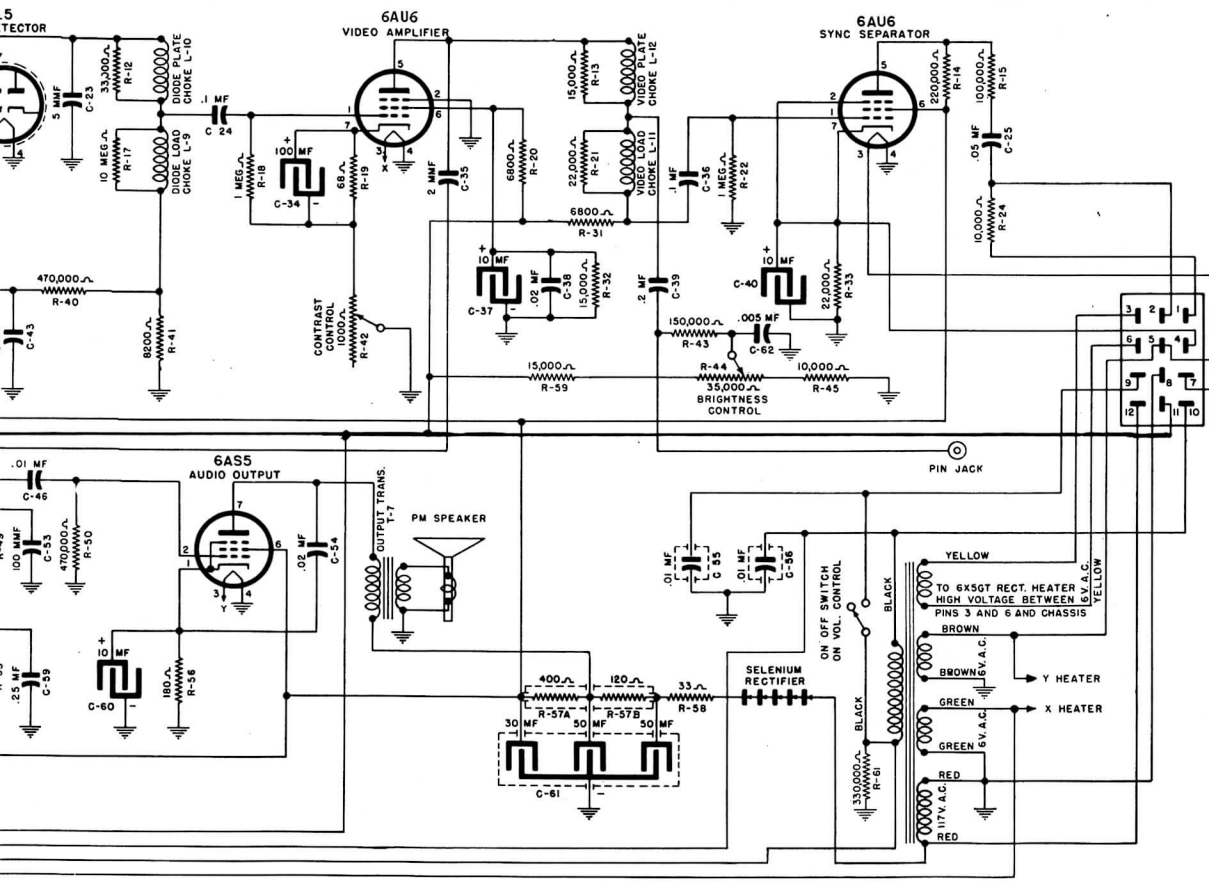
AIRLINE MODEL 94GSE-3018A



The Cooperation of the Manufacturer of This Receiver
 Makes It Possible to Bring You This Service



FM-AM SCHEMATIC SECTION



AIRLINE MODEL 94GSE-3018A